

# GREEN ECONOMY STABILIZER WITH E-COMMERCE REDESIGNING: MINING COMMENCE STREAM

\*Sritha Zith Dey Babu, \*\*Digvijay Pandey, #Ismail Sheik

\*Chittagong Independent University, Chittagong, Bangladesh

\*\*Department of Technical Education, Kanpur, India

#Management College of Southern Africa, Durban, South Africa.

## ABSTRACT

*At present, electronic commerce is a fusion of technology with the usage of smart and iconic digital systems. Sellers and buyers always in a race here to gain each one profit. Here, the main and uttermost thing is that it's a pure business site. Because sustainable business can include its majesty with the art of e-commerce. To establish an era of green economy we are now targeting the selling and buying methodology of various sectors. If, we want to create the era of green economy, its very tough to analyze data and the future of economical growth by the sight of manual data integration. But, here is the main strength of e-commerce is that we can apply here so many algorithms and predictor systems by which we can get the output as our recommendation. E-commerce is the only thing which one can manipulate the CRM, HRM, ERP modules, C2C behavior along with one click of customers. The goal and aim of this paper to create pure economical strength in a country like Bangladesh. This paper is going to evaluate and optimizing everything with the form of home science and business management. Because we hardly believe that pure value can be evaluated only if we consider the roots of any business problem and its an overview per thought about the green economy can be established by dint of electronic commerce. The current paper is to show the base and strategy of e-commerce for which many startup companies are gaining benefits. This one will motivate others to become an entrepreneur for emitting the village of green economy.*

## INTRODUCTION:

Electronic commerce is the new formation of business intelligence which is carrying the features of Business data interchanging, Customer satisfaction system, seller to buyer behavior controlling. In our point of view, electronic commerce is doing the best job between both sellers and buyers. Imprompting electronic data interchange concerning customer orders fitness and demand is a very big thing to cluster any kind of thing in its field. We all know about the different types of e-commerce and also know that we can easily move this at any system such as web development, software development, manipulating crossover data, etc. The types are business to business integration, business to customers, consumers to customers, business to government. But, the main type to establish a green economy is business to government. Many

websites, system applications are building big and burly with e-commerce. But these are building mostly with the architectural model of business to the business system or business to the customer system. Now, its high time to develop those applications to mobile commerce. Then, formation will move mobile commerce to e-commerce totally with the sight of business to government. Every small and big business company will gather along with one chain and this chain will emerge a government economical graph with the same mobile commerce methodology by which every people can also see and get the real-time economical growth of his or her own country. Its a freedom factor for everyone and will not rise any kind of issue against the company or government. After generating the common system of e-commerce supply chain management has also been getting the luster output. The internet and smartphones have become an omnipotent part of this growth. Internet is speeding up and modifying how daily tasks such as online shopping, paying utility bills, watching new movies, communicating, etc., are accomplished (Sivapalan,2014). Companies are getting the chance to improvise or implement such kinds of things like customer relationship management which can easily gather the board set of customer interaction, data of customers and access flexibility to open data, etc. Lacking the presence of human and social elements is claimed one major weakness that is hindering the growth of e-commerce(Lu,2016). So, it's all about the pillar of creating the economical sector green and also giving a new transformation to electronic commerce. The Internet has resulted in a fundamental shift in retailing practice (Nisar,2017).

## MATERIALS AND METHODOLOGY:

Now, we are going to describe every material to establish a green economy. The very first thing is that analyzing data variety and value. After that, for evolving data stream need to apply massive online analysis (MOA), Scalable advanced massive online analysis (SAMOA) and high-level architecture. Massive online analysis is about to use both online and offline analysis which will give us the bag and bost terms and Hoeffding trees with the behavior of naïve Bayes classifier. This study is motivated by the fact that the adoption of e-commerce by SMEs, especially in developing countries, is still very far behind the adoption by large companies (Rahayu,2015). Lets, meet with a table and improvise MOA.

Item (Will be same)	Fitness	Market demand (in percentage)	Variety	Stock
X	10	1.5	1	3000
X	12	1.2	1	2000
X	14	0.5	0	4000
X	05	2.5	2	1000

Table 1: Example product data set (Collected from Indus tech,2019)

Here, in this table, we can see that there are four values of a product. Now, to prefer our goal we need to focus on fitness which means the quality of a product in case we want to establish a business in government relations. We can look at market demand but this one will only help the companies, not customers. That's why to create the bridge of business to the government we need to put a draw concerning fitness. So, in table 1 the largest fitness value is 14 but its market demand is only 0.5%. But, if we have a look at its variety and stock we can also see that the large number of stock is 4000 which is the value of its. And, also this product has no variety. People can easily get this product at a crying need situation cause it has a huge stock and it is pure in case it has no variation. Let's see what is the streaming graph of these products:



Figure 1: MOA output view

After getting this value we can easily predict and get the scalable value. Most of the time to analyze this sort we use some model. High-level architecture requires that. But, as we said earlier that we want to sort out every problem with a metamorphosis form of home and handy applicable science. For stream all these values we need to use stream classifier and should generate with MOA output and readable ARFF files. The MOA output shows the mainstream value is  $X=14$  which is the most impact factor for the green economy. Before establishing the total scenario of the green economy we need to see the predictable output value of stream connectivity. As we all know with the sum of  $(X_1 + X_2 + X_3 + X_4) > \theta$ ;  $X_3 = 14$  this equation we can easily get the analytical value by which we can generate an economical connection with this 4 items. Before giving the output we are analyzing the set of conditions:  $\sum_{i=1}^0 R + X = X_i + 1$ . There has been an increasing emphasis on big data analytics (BDA) in e-commerce in recent years (Akter, 2016).

Now, the output of items connectivity is given below:

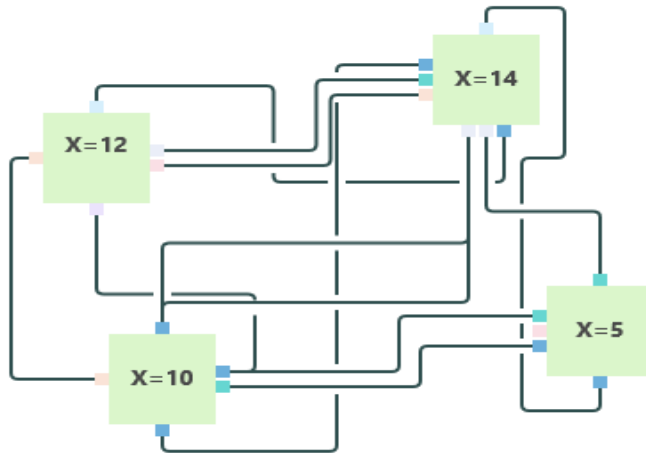


Figure 2: Output of Hyperplane connectivity

Here we also get the uttermost value is  $X=14$ . Now, using all of these algorithms and methodology we can develop a mobile commerce that can contain this title “ Make profit with green economy”.After developing an application companies will get their connective stream values by which they can easily analyze their product status.

## RESULT AND DISCUSSION:

With the help of a radial basis function, we can precisely a diagram by which one developer can easily get the algorithm to develop an application with this overview. Whenever people will visit this designable website or any kind of application companies will catch and store customer interaction and customer behavior respect to products and will update their product. This will be a big advantage for any company which wants to create a platform online. But another thing is that accuracy which can also establish a company only based on e-commerce. If they perform with new tools then they can get the upgrade value of any data set. Backend work always needs updates cause every possible data set has the hope to be the set data of any stream. Total application model design with a user-friendly environment is a very challenging task for everyone. E-commerce is booming with the development of a new business model and will be continuously boosted in several decades (Yu,2016). This application value will intercept with the governmental data. So that, we can get the real-time economic condition of any country. If the economic condition graph moves concerning customers graph then the condition will increase exponentially. So that, people will get products of the best quality in terms of fitness and the whole country can also stock emergency products as much as possible with MOA methodology. In recent years, electronic commerce (e-commerce) in Indonesia has grown rapidly. E-commerce became an opportunity for the company to increase its sales (Junadi,2015).

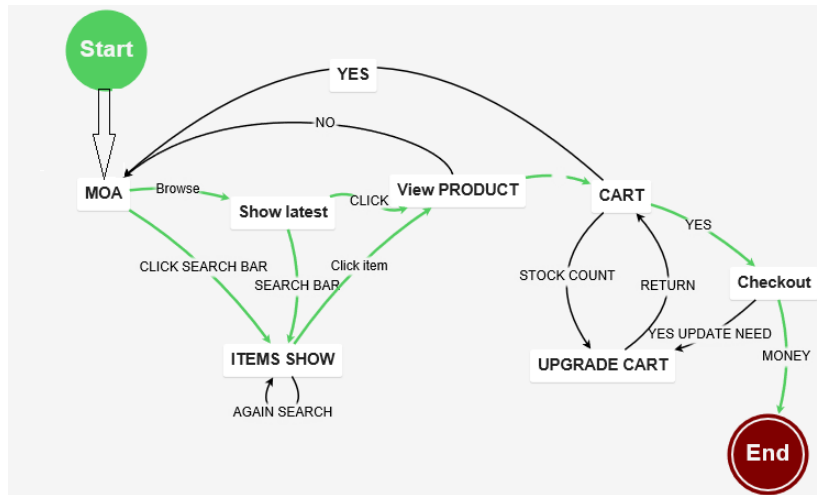


Figure 3: Total model

Finally, now we can analyze this data with a new framework and can also see the clustering. Here, math work simulation view given below:

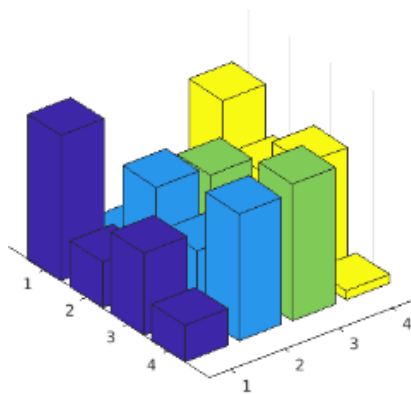


Figure 4: Tab of Mathwork

**CONCLUSION:**

It's not a very easy task to perform with this stream data. Because we need to use new tools for getting a luster result of data sets. But, the key term is that logic and strategy can make everything possible in this sector. As like as previous analyzation this paper also gives the idea to the companies and also to the developers about to use new terms and features in the field of development. Our main motive is to present the idea and strategy of developing economical sector.

**REFERENCES:**

- Sivapalan, S., Sadeghian, A., Rahnama, H., & Madni, A. M. (2014). Recommender systems in e-commerce. In *World Automation Congress Proceedings* (pp. 179–184). IEEE Computer Society. <https://doi.org/10.1109/WAC.2014.6935763>
- Lu, B., Fan, W., & Zhou, M. (2016). Social presence, trust, and social commerce purchase intention: An empirical research. *Computers in Human Behavior*, 56, 225–237. <https://doi.org/10.1016/j.chb.2015.11.057>
- Rahayu, R., & Day, J. (2015). Determinant Factors of E-commerce Adoption by SMEs in Developing Country: Evidence from Indonesia. *Procedia - Social and Behavioral Sciences*, 195, 142–150. <https://doi.org/10.1016/j.sbspro.2015.06.423>
- Nisar, T. M., & Prabhakar, G. (2017). What factors determine e-satisfaction and consumer spending in e-commerce retailing? *Journal of Retailing and Consumer Services*, 39, 135–144. <https://doi.org/10.1016/j.jretconser.2017.07.010>
- Akter, S., & Wamba, S. F. (2016). Big data analytics in E-commerce: a systematic review and agenda for future research. *Electronic Markets*, 26(2), 173–194. <https://doi.org/10.1007/s12525-016-0219-0>
- Rahayu, R., & Day, J. (2017). E-commerce adoption by SMEs in developing countries: evidence from Indonesia. *Eurasian Business Review*, 7(1), 25–41. <https://doi.org/10.1007/s40821-016-0044-6>
- Junadi, & Sfenrianto. (2015). A Model of Factors Influencing Consumer's Intention to Use E-payment System in Indonesia. In *Procedia Computer Science* (Vol. 59, pp. 214–220). Elsevier. <https://doi.org/10.1016/j.procs.2015.07.557>
- Sidharta, I., & Boy Suzanto. (2015). Pengaruh Kepuasan Transaksi Online Shopping Dan Kepercayaan Konsumen Terhadap Sikap Serta Perilaku Konsumen Pada E-Commerce. *Jurnal Computech & Bisnis*, 9(1), 23–36. Retrieved from <http://jurnal.stmik-mi.ac.id/index.php/jcb/article/download/124/148>
- Yu, Y., Wang, X., Zhong, R. Y., & Huang, G. Q. (2016). E-commerce Logistics in Supply Chain Management: Practice Perspective. In *Procedia CIRP* (Vol. 52, pp. 179–185). Elsevier B.V. <https://doi.org/10.1016/j.procir.2016.08.002>